

BANTAM[®]

H I G H P E R F O R M A N C E M A N U A L L Y - O P E R A T E D D O O R

The Economical, Break-Away Dock Door Alternative.

The Bantam roll door is an economical fabric door alternative to high maintenance overhead dock doors. With the same crisp lines and fabric selection as our popular PredaDoor[®], it accommodates most dock applications. The Bantam door is ideal for interior or exterior applications with low to moderate traffic.

With manual operation standard via a pull-chain hoist, the Bantam can also be motorized for more convenient, and more automatic, opening and closing speeds, if desired.

Takes a Hit - Quick-Set[™], Break-Away[™] tabs allow bottom bar to be reset in just seconds, without tools, virtually eliminating down time and repair costs.

Simple Operation - Chain hoist and speed governor make for easy manual door operation.

Minimal Space - Only 6-1/4 inches of side clearance and 3-3/4 inches of side column projection required.

Wind Resistance - Integral panel connecting ribs allows quick, inexpensive replacement of all panel sections and provides resistance to wind and negative pressure.

Visibility - 17 inch by 17 inch replaceable window is standard. Optional full-width vision panel is available.



RYTEC
CORPORATION
Driving The Door Industry.SM

BANTAM[®]

HIGH PERFORMANCE MANUALLY-OPERATED DOOR

Specifications: Subject to change

Model: Rytec[®] Bantam[®] Door

Standard Size: Up to 10 feet wide by 10 feet high.

Door Panel: Standard features include 32-ounce replaceable vinyl sections, wind rib(s), and one 17 inch by 17 inch replaceable window. Options include 2-ply Rilon[™], USDA compliant material, screen material and full-width vision panels.

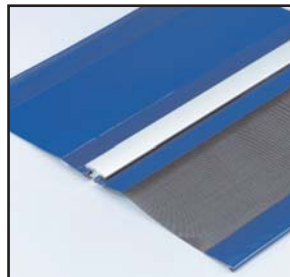
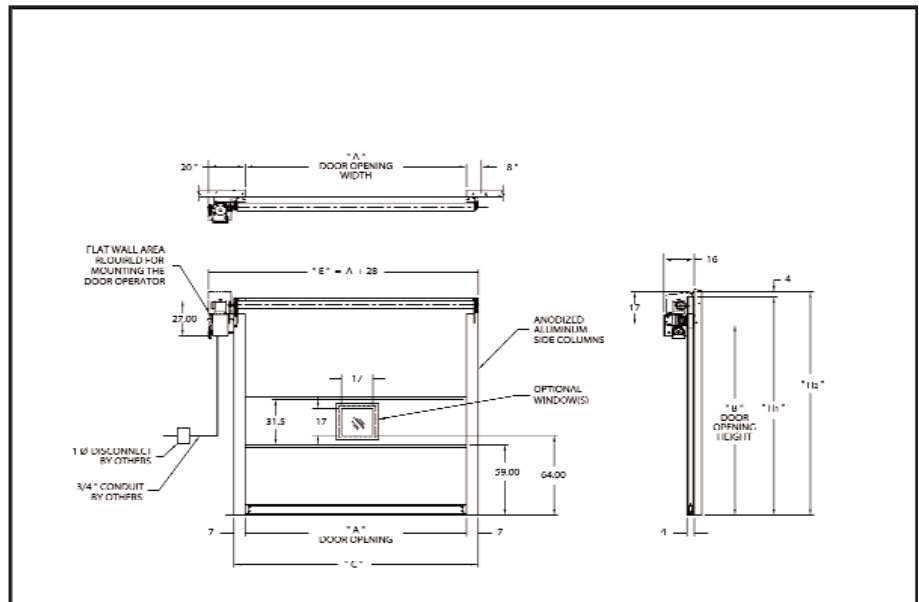
Side Frames: Fully bolt-together, anodized aluminum construction with full-height weatherseal to seal against panel material.

Manual Drive System: Opening and closing is manually operated by use of chain hoist and speed governor.

Optional Powered Drive System: Door operator available with a single open/close/stop push button station standard. Other activation methods available. Motor horsepower and voltage selected to meet specific application. Includes a pneumatic reversing edge.

Bottom Bar: Quick-Set, Break-Away extruded aluminum bottom bar releases in either direction without damage to the door. Vinyl seal on bottom edge for tight seal to floor. Sliding locks on bottom bar standard.

Warranty: One year limited warranty on materials and workmanship.



Door Panel Assembly
Integral connecting ribs allow easy replacement of individual panels, including optional screens, while providing stiff resistance against wind and negative pressure.



Replaceable Window
Velcro-sealed PVC or screen windows can be replaced quickly and easily.



Easy to Reset
Quick-Set, Break-Away tabs allow bottom bar to be reset in just seconds, without tools, after taking a hit.

