

CLEAR-SEAL[®]

HIGH PERFORMANCE ROLLING DOOR

Economical Interior Door with Full Vision and Tight Seal.

A superior performing alternative to impact doors and strip curtains, the Clear-Seal is a full vision, high-speed roll door for interior applications.

In addition to the safety of top-to-bottom visibility at the threshold, it offers all the benefits associated with high-speed doors - improved traffic flow and efficiency, reduced energy and maintenance costs, and indeed, the ability to take a hit.

In short, the Clear-Seal is a viable, economical option for obtaining high-speed door performance, with a tight seal, for interior options up to 10 feet wide by 10 feet high.

Threshold Safety - With its full-height, clear PVC panels and dual electric photo eyes, the Clear-Seal provides great visibility and added safety for interior applications where fork trucks and other equipment are either crossing the threshold in both directions, crossing the door's traffic lane, or both.

Fast - Opens at up to 50 inches per second for improved traffic flow.

Safe - Full visibility and pneumatic reversing edge is standard.

Low Profile - Side columns are only 4 inches wide, with 4 inches of projection. Fits virtually anywhere.



RYTEC
CORPORATION
Driving The Door Industry.SM

CLEAR-SEAL®

HIGH PERFORMANCE ROLLING DOOR

Specifications: Subject to change

Model: Rytec® Clear-Seal® Door

Standard Size: Up to 10 feet wide by 10 feet high.

Door Panel: Clear 1.5 mm PVC material with 0.65 mm dark blue vinyl strips and nylon wind rollers standard. Panel stability up to 0.15 inches of differential water pressure (equivalent to 10 mph wind pressure).

Side Frames: Anodized aluminum side columns with removable cover.

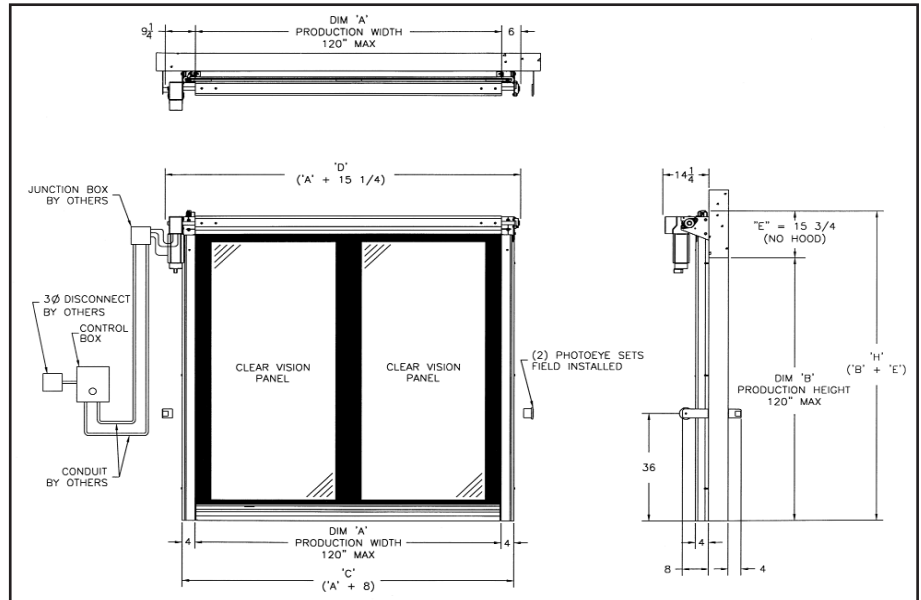
Bottom Bar: Quick-Set, Break-Away extruded aluminum bottom bar releases in either direction. Standard dual cut-off switches shut off motor when bottom bar is impacted. Pneumatic reversing edge is standard. No exposed junction box on bottom bar. Vinyl loop seals hugs floor contour for tight seal. Bottom bar preassembled on doors at factory.

Optional Hood Assembly: Aluminum roll and motor cover.

Drive System: Three phase, variable speed AC Drive provides soft acceleration and deceleration. Independent opening and closing speeds provide flexibility to accommodate any application.

Travel Speed: Opens at up to 50 inches per second.

Warranty: One year limited warranty on materials and workman-



▲ **Fast and Easy Re-Setting**

With removable side column covers and simple Quick-Set, Break-Away tabs, it takes just seconds to reset the Clear-Seal's extruded aluminum bottom bar after incidental impact.



▲ **Incidental Impact**

The Clear-Seal door is designed to take incidental impacts.

