

CLEAR-SHIELD™

HIGH PERFORMANCE ROLLING DOOR

The Corrosion-Proof, Full-Vision, Rolling Door for Car Washes.

The Clear-Shield offers full visibility, wind protection and reliability - without corrosion. It protects customers and vehicles outside the wash bay from sprays due to windy conditions. The clear UV-resistant vinyl panels provide natural light and the ability to see inside the bay. The door also helps inhibit freezing by dampening winds that pass through the heated bays.

The Clear-Shield is safe, low maintenance, and it can take a hit. The soft, self-Repairing, Break-Away™ bottom bar won't hurt customers or damage cars if accidentally hit. After popping out, the bar automatically reinserts itself into the guides and resumes normal operation.

Shown with optional painted hood.



Wind Control - Panel helps control winds and sprays for improved car wash operation and protection.

Non-Corrosive - Corrosion-proof barrel, roll covers and side guides virtually eliminate the potential for rust.

Full Visibility - Full visibility through five optional full-width vision panels.

Self-Repairing - The soft, padded Break-Away bottom bar automatically self repairs after popping out by reinserting itself into the guides.

Safe - Electric photo eye and padded bottom bar ensure minimal contact and won't hurt customers or cars if accidentally hit.

Speed Options - The Clear-Shield door opens and closes at 16 inches per second. Optional model with opening and closing speeds of 32 inches per second provide a faster flow of customers through the bay.

Versatility - The Clear-Shield is ideal for automatic, self-service wash bays, and other high moisture, frequent use applications requiring visibility and wind control.

RYTEC
CORPORATION
Driving The Door Industry.™

CLEAR-SHIELD™

HIGH PERFORMANCE ROLLING DOOR

TM

Specifications: Subject to change

Model: Rytec® Clear-Shield™

Standard Size: Manufactured to exact opening dimensions up to 12 feet wide by 12 feet high. Consult factory for special sizes.

Door Panel: UV-protected, reinforced wear-resistant PVC fabric. Consult factory for color options.

Side Frames: Reinforced composite, non-corrosive, pultruded fiberglass side frames. Electric photo eye is standard.

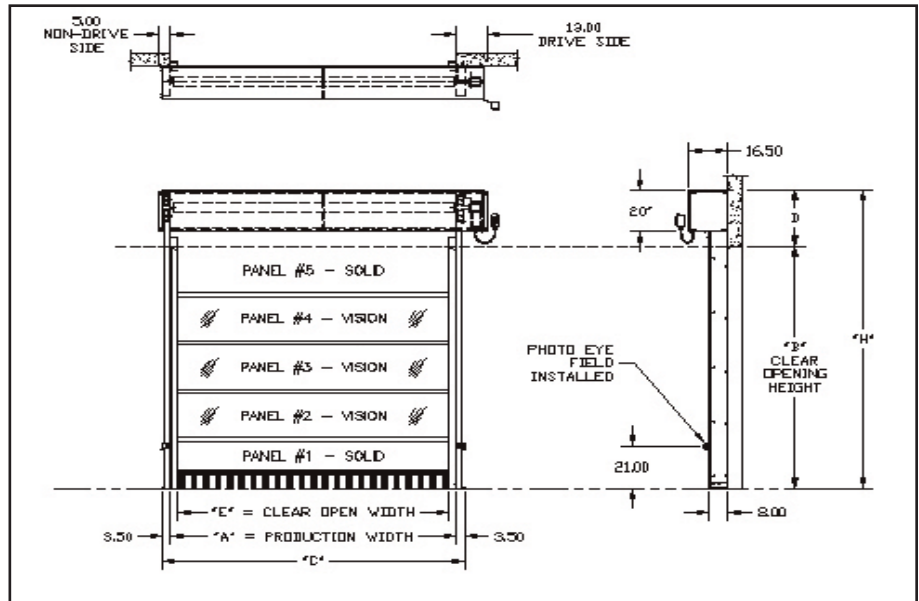
Bottom Bar: Soft, padded Break-Away bottom bar with self-repairing capability.

Drive System: 3/4 hp three-phase single speed unit with direct drive through integral gear box.

Travel Speed: Opens and closes at 16 inches per second. Optional model with opening and closing speeds of 32 inches per second.

Electrical Controls: Integrated, door control logic.

Warranty: One-year limited warranty on materials and workmanship.



Bottom Bar
The padded Break-Away bottom bar automatically self-repairs by reinserting itself into the guides at the top of the door.



Visibility Options
Up to five full-width vision panels are available.



Low Profile
The low profile design allows the door to fit virtually anywhere.